

Flush-mounted switch range

future®

Overview of colours



Anthracite (-81)
With cover frame
anthracite (-181 K)
Rocker/cover frame similar to
RAL 7021



Ivory white (-82)
With cover frame
Ivory white (-182 K)
Rocker/cover frame similar to RAL
1013



Aluminium silver (-83)
With cover frame
aluminium silver (-183 K)
Rocker/cover frame
similar to RAL 9006



Studio white matt (-884)
With cover frame
studio white matt (-884 K)
Rocker/cover frame similar to
RAL 9016



Studio white matt (-84)
With cover frame
studio white (-184 K)
Rocker/cover frame similar to RAL
9016



Black matt (-885)
With cover frame
Black matt (-885 K)
Rocker/cover frame
similar to RAL 9005

Product features

- RoHS compliant
- Cover: Thermoplastic (PC)
 - Shock-proof and fracture-proof
 - UV-resistant
 - Free of PVC and halogen
- Suitable for channel installation

Technical data

Dimensions

Rocker	63 mm x 63 mm
Cover frame, 1gang	80 mm x 80 mm
Installation depth for flush-mounted inserts	For flush-mounted boxes according to DIN 49073-1 (unless specified otherwise)
Mounting height for switches	17 mm
Mounting height for socket outlets	14 mm
Protection	IP 20
Operating temperature	-25°C - 40°C
Storage temperature	-25°C - 40°C

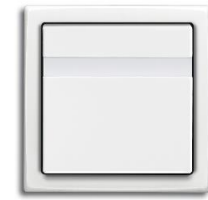
Design



Switch/push-button
Colour: Studio white



Push-button with glow
lamp
Colour: Studio white



Busch-Comfort switch®
Colour: Studio white



Switch with rotary knob
and imprint
Colour: Studio white

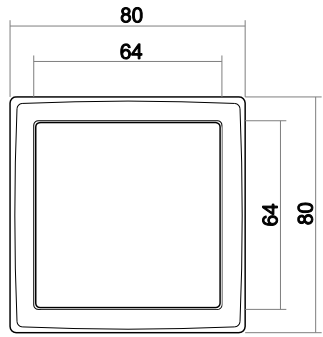


Switch with rotary knob,
retaining nut and glow
lamp
Colour: Studio white

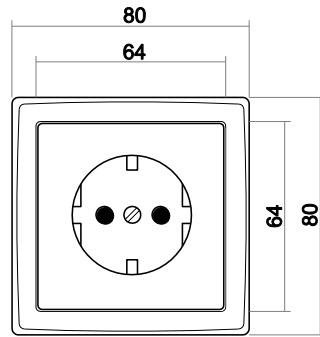
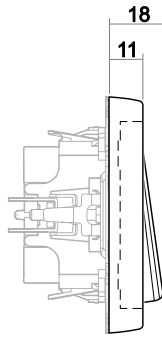


Room temperature
controller / heating /
cooling operation /
colour concept
Colour: Studio white

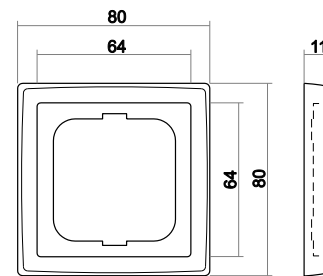
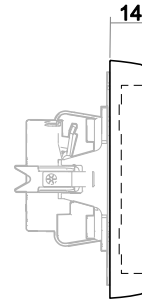
Dimensional drawings of selected articles



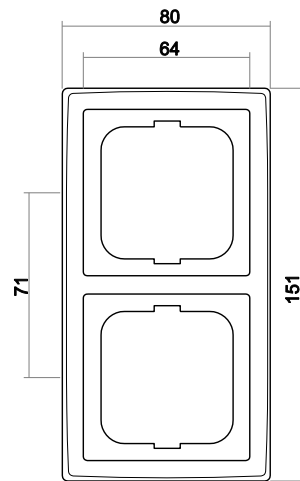
Switch



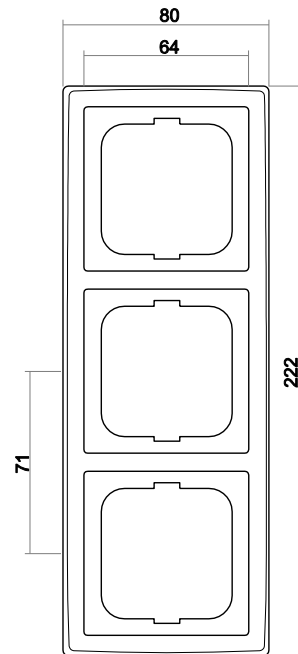
Socket outlet



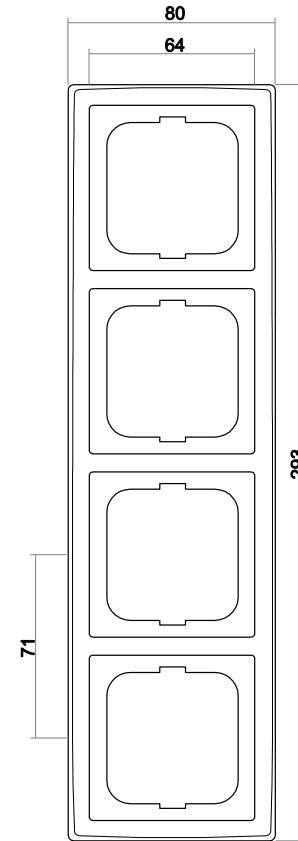
Cover frame, 1gang



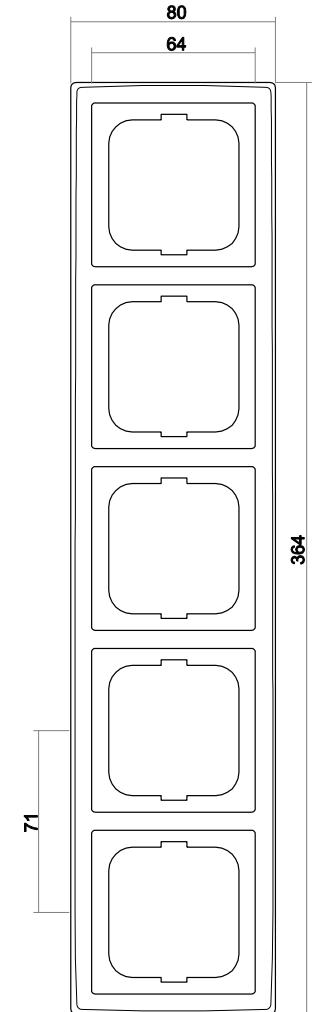
Cover frame, 2gang



Cover frame, 3gang

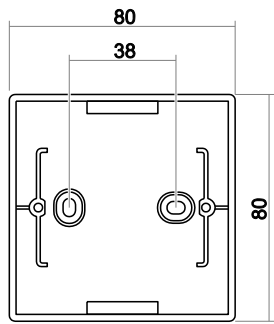


Cover frame, 4gang

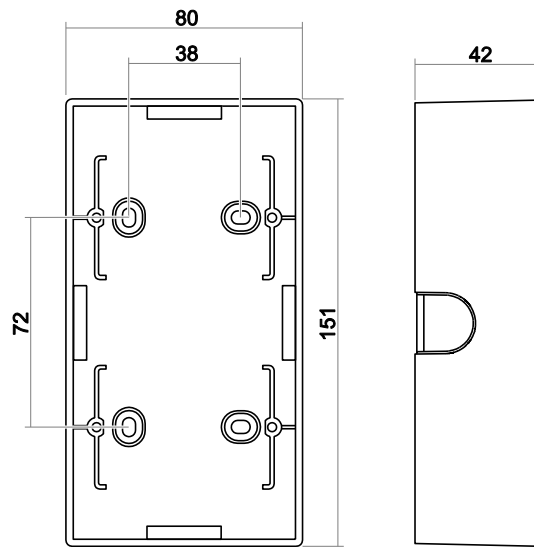


Cover frame, 5gang

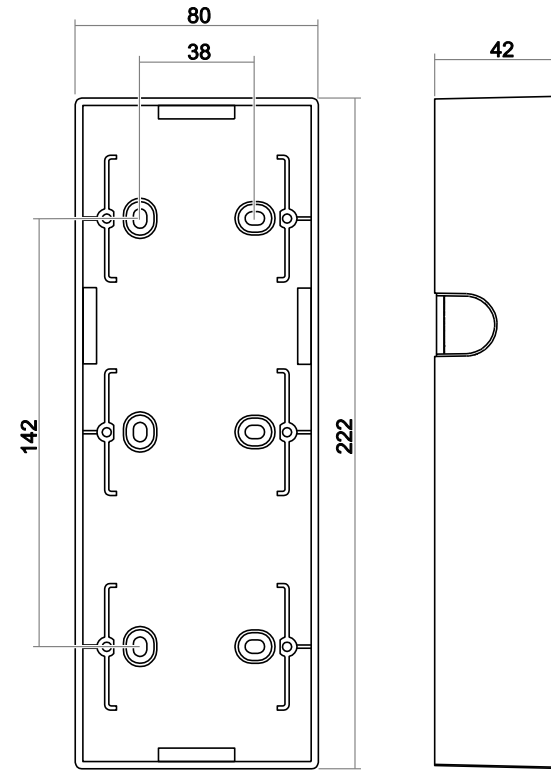
Dimensional drawings of selected articles



Surface-mounted housing, 1gang



Surface-mounted housing, 2gang



Surface-mounted housing, 3gang

Experiencing the design of the Busch-Jaeger switch ranges with the light switch app. Free download for iOS and Android



Busch-Jaeger Elektro GmbH
 A member of the ABB group
 Freisenbergstrasse 2
 58505 Lüdenscheid,
 Germany
 Central sales service:
 +49 (0)2351-956-1600
www.busch-jaeger.de

