

Flush-mounted product range *impuls*

In the contrast between light and dark, colours and forms become particularly prominent. *impuls* unites these impressions into extraordinary design and innovative technology with harmonious light aura. What is particularly fascinating here is the contrast between clear lines and the elegance of the circle. Even in the dark this switch convinces – discreet continuous light provides orientation. The additional Softtouch colours of studio white matt and black matt set *impuls*.

Design



01 alpine white (-74) / alpine white (-74)

02 ivory (-72) / ivory (-72)

03 studio white matt* (-774) / studio white matt* (-774)

04 ivory (-72) / solar gold (-73)

05 champagne metallic (-79) / champagne metallic (-79)

06 blackberry (-777) / chrome (-726)

07 alpine white (-74) / chrome (-726)

08 aluminium silver (-783) / chrome (-726)

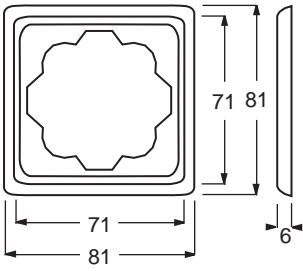
09 black matt* (-775) / black matt* (-775)

* Softtouch: stimulating colours with pleasant haptics and a hard-wearing surface.

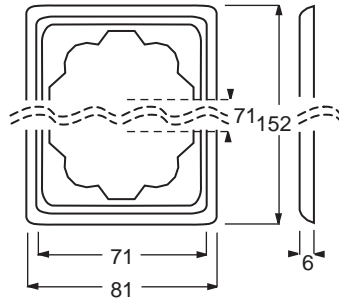


Permanent aura of light in a deactivated state thanks to long-lasting LED technology in the colours white, red and blue.

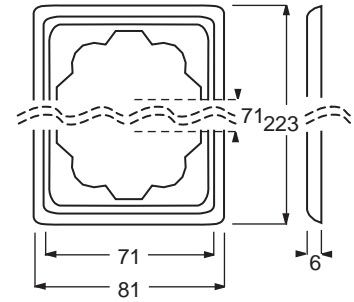
Dimensional drawings



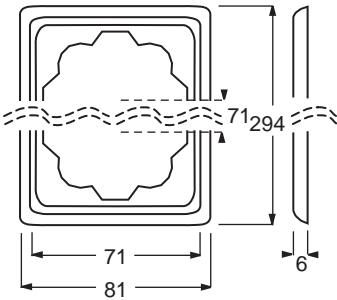
Cover frame, 1gang



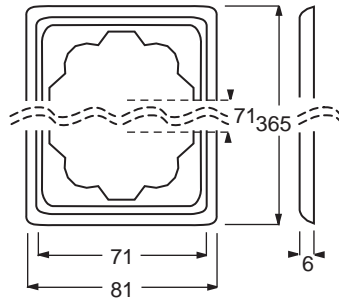
Cover frame, 2gang



Cover frame, 3gang



Cover frame, 4gang



Cover frame, 5gang

For vertical or horizontal installation.

Technical Data

Material

Cover: Thermoplastic cover (PC), impact-proof and fracture-resistant, UV-resistant, free of PVC and halogen.

Vertical range of products

Rocker switches

Rocker switch with parallel stroke switch mechanism
Rocker switch with parallel stroke switch mechanism with neon lamp
Push switch
Push switch, illuminable

Cover plates

Cover plate with operating knob and neon lamp for flush-mounted switch
1g1w, 1g2w, intermediate, push switch
Cover plate with operating knob and neon lamp for flush-mounted switch
2g1w, 2g push switch
Cover plate with operating knob and neon lamp and with symbol
Cover plate with operating knob and neon lamp and with bell symbol
Cover plate with operating knob and neon lamp and with key symbol
Cover plate with operating knob and neon lamp and with labelling field
and with marking "Heizung-Notschalter"
Cover plate with operating knob and neon lamp and with labelling field
Cover plate for cooling element
Cover plate with rotary knob and with indication lamp
IR control element with marking, illuminated
Control element with neon lamp for Busch-Memory 2gang Dimmer
Cover plate with rotary knob and with marking for blind control
switch/push switch
Cover plate for card switch
Control element with neon lamp for Busch-Blind control II
Cover plate with rotary knob for comfort blinds insert
Cover plate for Busch-Wind and sun blind switch insert
Cover plate for Comfort and Standard timer control element
Cover plate for Busch-Short-timer insert
Cover plate for info light
Blank plate with metal mounting plate
Cover plate for universal data connection boxes
Cover plate for universal data connection boxes, 2gang
Cover plate for telephone connection unit
Cover plate with metal mounting plate for loudspeaker inserts
Cover plate for standard Radio/TV/Sat socket outlet
Cover plate with labeling field for modular jack with slide entrance
Cover plate for telecommunication
Cover plate with hinged lid for telecommunication

Cover plate with metal mounting plate for communication devices
Cover plate with rotary knob and with marking
Cover plate for light signal
Cover plate for room thermostats

SCHUKO® socket outlets

SCHUKO® socket outlet
SCHUKO® socket outlet shuttered
SCHUKO® socket outlet with hinged lid
SCHUKO® socket outlet with labelling field
Socket outlet with earth pin and with screwless terminal
Socket outlet with earth pin and with screw-type terminal
Socket outlet with earth pin and marking "DATA"
Busch-Protector® SCHUKO® socket outlet with overvoltage protection

Busch-Watchdog

Busch-Watchdog 180 flush-mounted comfort sensor II with select-lens
Busch-Watchdog 180 flush-mounted comfort sensor II with multi-lens

Cover frames

1gang frames
2gang frames
3gang frames
4gang frames
5gang frames

See all products in our current
electronic catalogue.



Service

 Busch-Jaeger Elektro GmbH – A member of the ABB Group, Freisenbergstraße 2, 58513 Lüdenscheid, Germany
Central sales service: Phone: +49 2351 956-1600, www.BUSCH-JAEGER.com