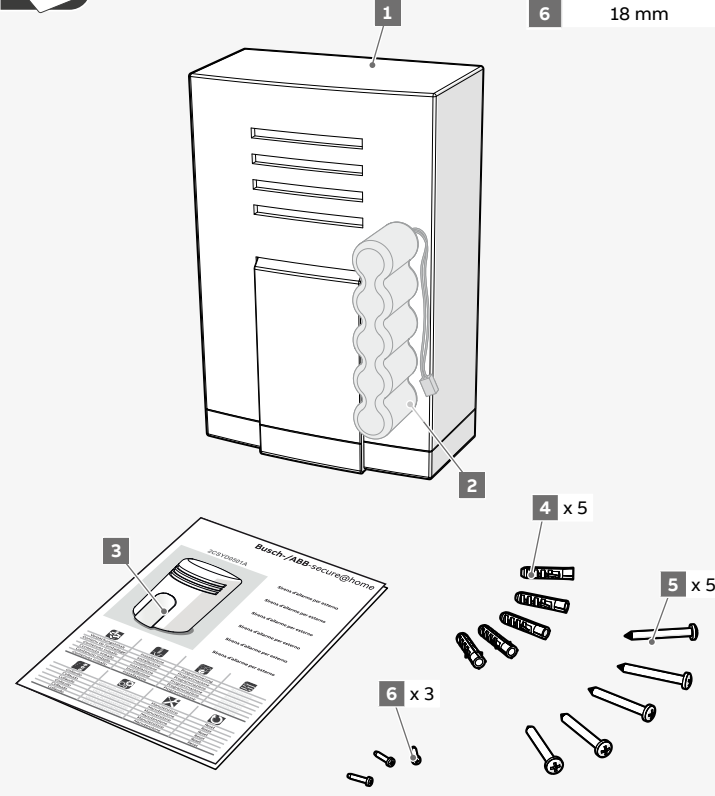
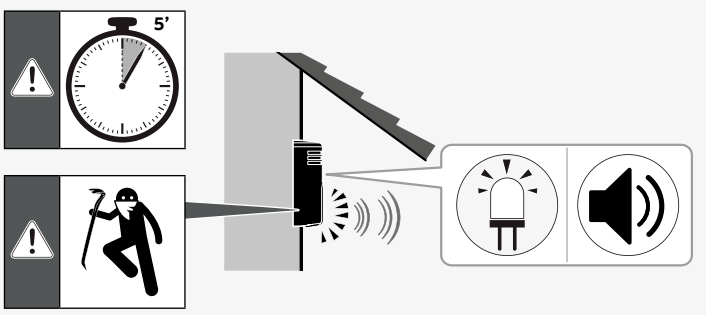
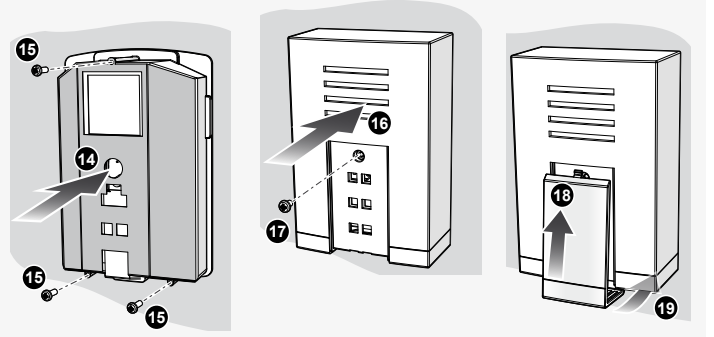
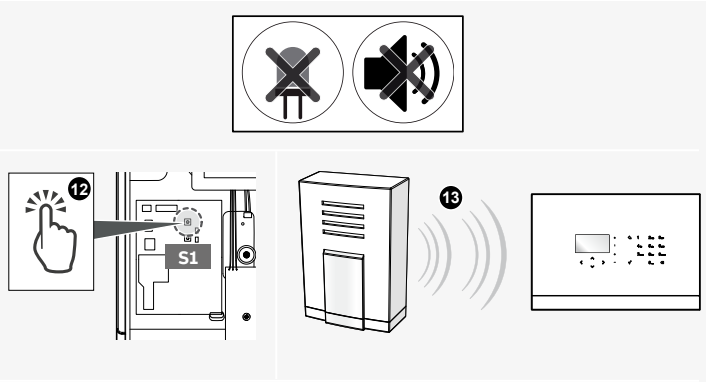
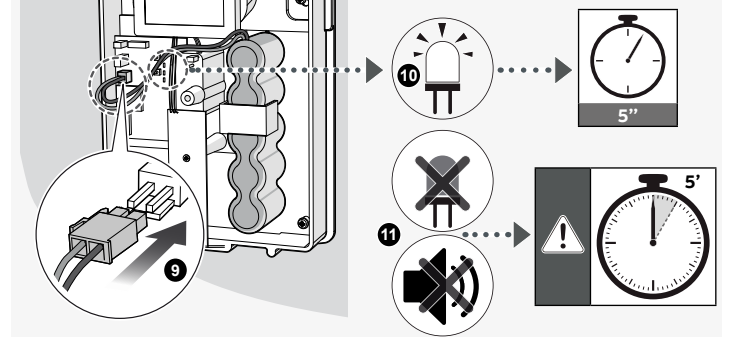
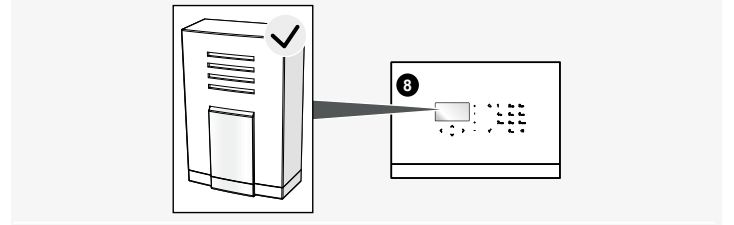
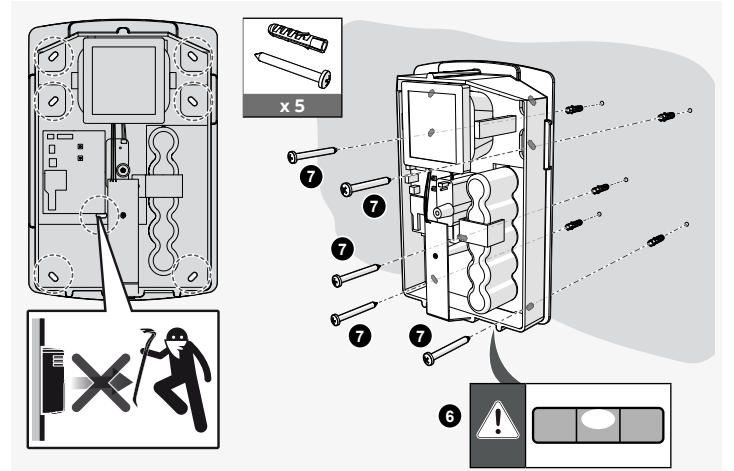
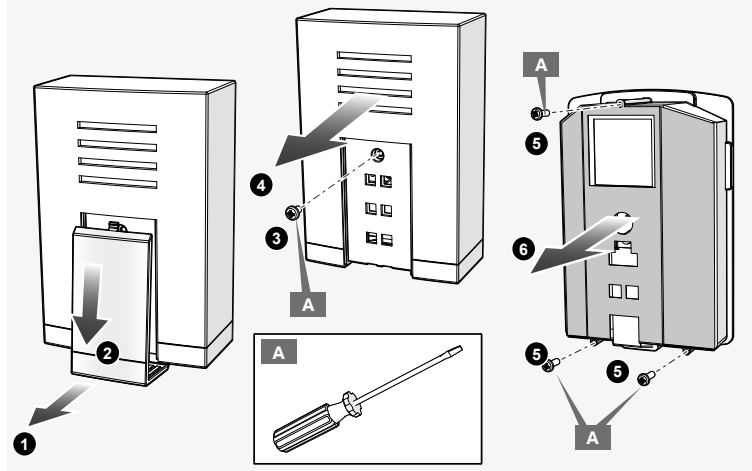
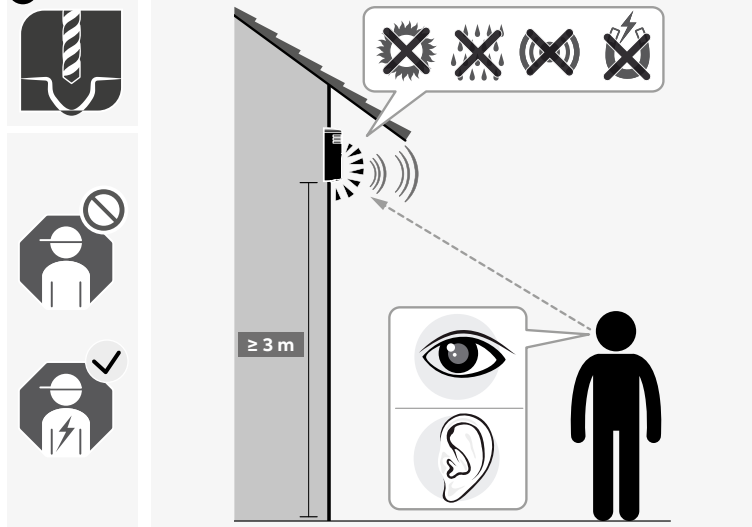
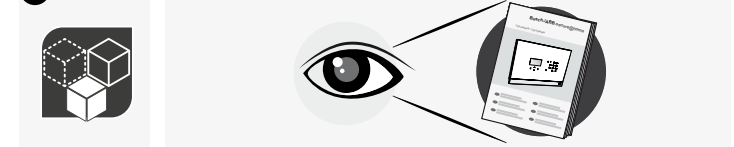
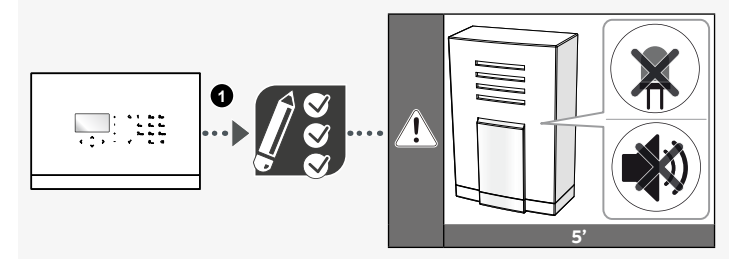
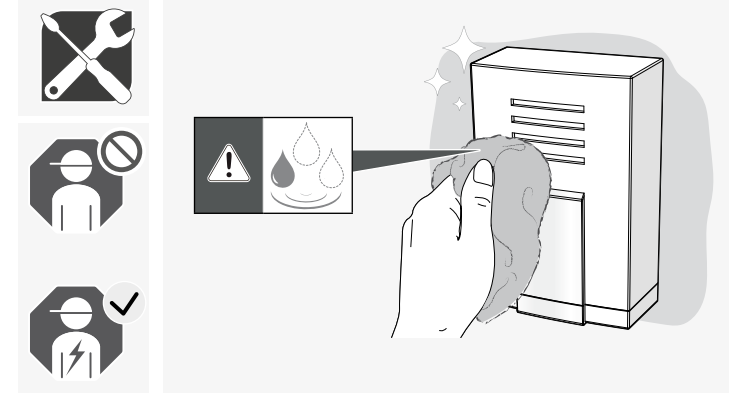


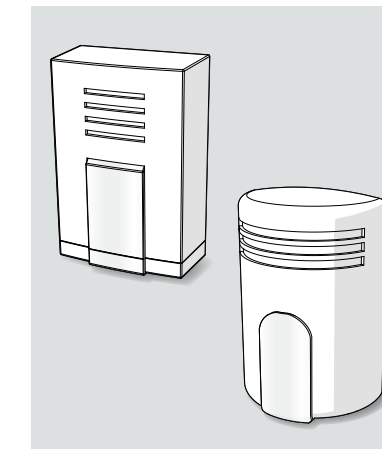
1

2	LR20 7,5 V - 12 Ah
4	Ø 8 mm
5	53 mm
6	18 mm

**2****3****4****5**

Busch- SSD-W1.11c

ABB- SSD-W1.1c
2CSYD0501A



- DE Außensirene
- EN Outdoor siren
- NL Alarmsirene buiten
- FR Sirène d'alarme ext.
- IT Sirena d'allarme per esterno
- ES Sirena de alarma ext.

Inhalt der Verpackung Package contents Inhoud verpakking Contenu emballage Contenuto imballo Contenido del paquete	Installation Installation Installatie Installation Instalazione Instalación	Programmierung Programming Programmering Programmation Programmazione Programación	Einstellung Adjustment Afstelling Réglage Regolazione Regulación
Prüfung Testing Keuring Essais Collaudo Prueba	Gebrauch und Funktion Use and Operation Gebruik en werking Utilisation et Fonctionnement Uso e Funzionamento Uso y Funcionamiento	Wartung Maintenance Onderhoud Entretien Manutenzione Mantenimiento	Reset Reset Reset Reset Reset Reset

7

Technical Specifications	
Application scope	Security
Communication technology	Transmission in FM 868.3 MHz
Range in free field	300 m
Power supply	1 battery pack LR20 7.5 V (5 battery type "D" x1.5V) – 12 Ah lasting 3 years. Operation is guaranteed for 30 days from the low battery notification.
Programming elements	2 keys
Signal elements	<ul style="list-style-type: none"> • 1 trumpet, sound pressure 100 dBA at 3 m; • 1 8-LED flasher; • low battery in the control unit.
Anti-tampering protection	Anti-opening and anti-removal tamper
Usage temperature	-20 ... + 55 °C
Usage relative humidity	Max 93% max (non-condensing)
Usage environment	Outdoor
Installation	Free
Protection level	IP55
Sizes (L x H x P)	210 x 330 x 155 mm
Weight	2,2 kg
Performance level	Compliant with the standards EN 50131- 1 and EN 50131-4
Environmental class	III
Security grade	2

2CSM600701D0901 - 02

8

Hereby, manufacturer, declares that the radio equipment type "SSD-W1.11c", "SSD-W1.1c", "2CSYD0501A", is in compliance with Directive 2014/53/EU. The full text of the EU declaration of conformity is available at the following internet address:

<https://www.busch-jaeger-katalog.de/index.php?bereich=1081520>

<https://new.abb.com/low-voltage/products/building-automation/product-range/intrusion-alarm-systems/system/abb-secureathome>

Busch-/ABB-secure@home

Busch-Jaeger Elektro GmbH
Freisenbergstraße 2
D-58513 Lüdenscheid
ABB S.p.A.
Viale dell'Industria, 18
20010 Vittuone (MI), Italy

