

# Operating Instructions

## Busch-Infoline®

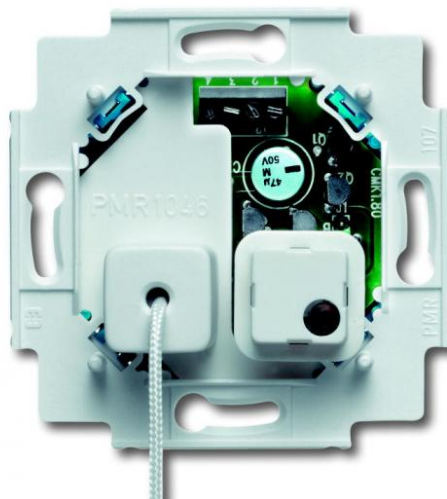
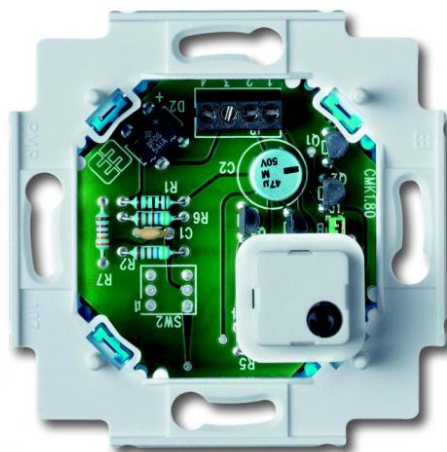
---

### 1520/1 UK

Signal / cancel button insert

### 1520/1 UKZ

Signal / cancel button insert  
with pullcord



1	Safety.....	3
2	Intended use .....	3
3	Environment.....	3
4	Operation .....	4
4.1	Signal / cancel button insert 1520/1 UK .....	4
4.2	Signal / cancel button insert with pullcord 1520 UKZ .....	4
5	Technical data.....	5
6	Setup and function .....	5
6.1	Features of function and equipment.....	5
6.2	Possible combinations .....	6
7	Installation and electrical connection .....	7
7.1	Requirements for the electrician .....	7
7.2	Electrical connection .....	8
7.2.1	Circuit diagram 1520/1 UK .....	8
7.2.2	Circuit diagram 1520/1 UKZ.....	8
7.3	Mounting the device insert .....	9
7.4	Setting confirmation feedback signal with jumper .....	10

## 1 Safety



### Warning

#### Electric voltage!

Risk of death and fire due to electrical voltage of 230 V.

- Work on the 230V supply system may only be performed by authorised electricians!
- Disconnect the mains power supply prior to installation and/or disassembly!

## 2 Intended use

The device is to be used exclusively with the components that are supplied and licensed as described in chapter "Setup and function".

## 3 Environment



### Consider the protection of the environment!

Used electric and electronic devices must not be disposed of with domestic waste.

- The device contains valuable raw materials which can be recycled. Therefore, dispose of the device at the appropriate collecting depot.

All packaging materials and devices bear the markings and test seals for proper disposal. Always dispose of the packaging material and electric devices and their components via the authorized collecting depots and disposal companies.

The products meet the legal requirements, in particular the laws governing electronic and electrical devices and the REACH ordinance.

(EU Directive 2002/96/EC WEEE and 2002/95/EC RoHS)

(EU REACH ordinance and law for the implementation of the ordinance (EC) No.1907/2006)

## 4 Operation

### 4.1 Signal / cancel button insert 1520/1 UK

#### **Confirmation feedback signal**

The confirmation feedback signal for individual / group signal can be selected via the jumper.

#### **Triggering signal / alarm messages**

Various messages can be triggered via the the button.

#### **Deactivating signal / alarm messages**

Various messages can be deactivated via the the button.

### 4.2 Signal / cancel button insert with pullcord 1520 UKZ

#### **Confirmation feedback signal**

The confirmation feedback signal for individual / group signal can be selected via the jumper.

#### **Triggering signal / alarm messages**

The message can be triggered with a 2.5-meter-long pullcord.

#### **Deactivating signal / alarm messages**

Various messages can be deactivated via the the button.

## 5 Technical data

<b>General</b>	
Nominal voltage	9.5 - 28 V AC / 9.5 - 35 V DC
Rated frequency	50/60 Hz
Nominal current	70 mA AC / 40 mA DC
Contact rating	30 V AC / 35 V DC mA, 3 VA / W
Type of protection for device	SELV
Protection class	IP 20
Operating temperature range	5 ... 40 °C
<b>Switching contacts</b>	
Normally open contact	30 V AC / 35 V DC, 100 mA, floating

## 6 Setup and function

### 6.1 Features of function and equipment

To trigger and deactivate an alarm message in a room or a WC for the handicapped.  
 The confirmation feedback signal can be selected via the jumper.

6.2 Possible combinations

	Signal / cancel button insert	
	 1520/1 UK	 1520/1 UKZ
 1510 UC	X	X
 1518 U	X	X
 1511 U	X	X
 1515 U-12	X	X
 1571 CN-21X	X	
 1572 CN-21X		X
 1572 CN-84		X

## 7 Installation and electrical connection



### Warning

#### Electric voltage!

- Risk of death due to electrical voltage of 230 V during short-circuit in the low-voltage line.
- Low-voltage and 230 V lines must not be installed together in a flush-mounted socket!

### 7.1 Requirements for the electrician



### Warning

#### Electric voltage!

Install the device only if you have the necessary electrical engineering knowledge and experience.

- Incorrect installation endangers your life and that of the user of the electrical system.
- Incorrect installation can cause serious damage to property, e.g. due to fire.

The minimum necessary expert knowledge and requirements for the installation are as follows:

- Apply the "five safety rules" (DIN VDE 0105, EN 50110):
  1. Disconnect from power;
  2. Secure against being re-connected;
  3. Ensure there is no voltage;
  4. Connect to earth and short-circuit;
  5. Cover or barricade adjacent live parts.
- Use suitable personal protective clothing.
- Use only suitable tools and measuring devices.
- Check the supply network type (TN system, IT system, TT system) to secure the following power supply conditions (classic connection to ground, protective earthing, necessary additional measures, etc.).

## 7.2 Electrical connection

### 7.2.1 Circuit diagram 1520/1 UK

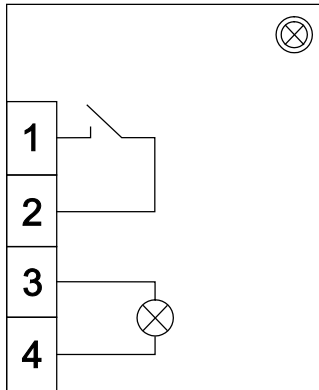


Fig. 1: Circuit diagram for the signal / cancel button insert

#### Terminal assignment

##### 1520/1 UK

Terminal designation	Assignment
1	Normally open contact, floating
2	
3	Comforting light and control display via LED
4	

### 7.2.2 Circuit diagram 1520/1 UKZ

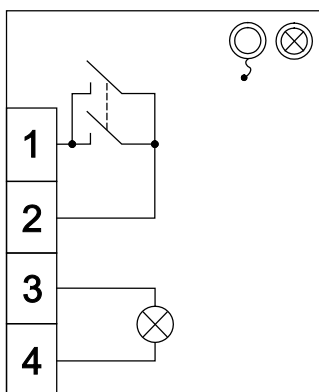


Fig. 2: Circuit diagram for the signal / cancel button insert with pullcord

#### Terminal assignment

##### 1520/1 UKZ

Terminal designation	Assignment
1	2 Normally open contact, floating (1 Normally open contact for the button, 1 normally open contact for the pullcord)
2	
3	Comforting light and control display via LED
4	



### 7.3 Mounting the device insert

It should preferably be mounted next to the door of the WC.

1. Mount the devices in a flush-mounted box according to DIN 049073-1.
2. Fix the devices in the flush-mounted box with screws.
3. Mount the elements of the cover plate in the sequence shown in the illustration.

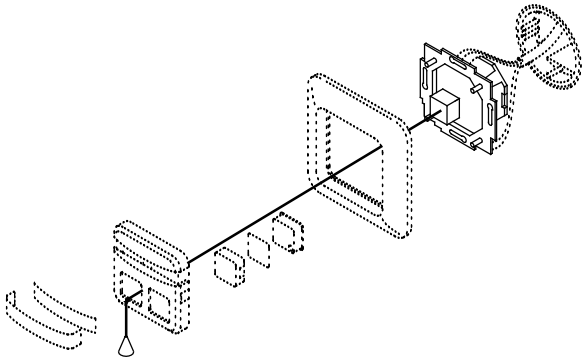


Fig. 3: Overview of installation

7.4 Setting confirmation feedback signal with jumper

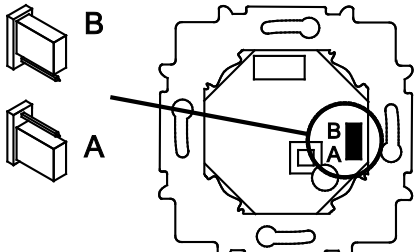


Fig. 4: 1520/1 UKZ signal / cancel button insert

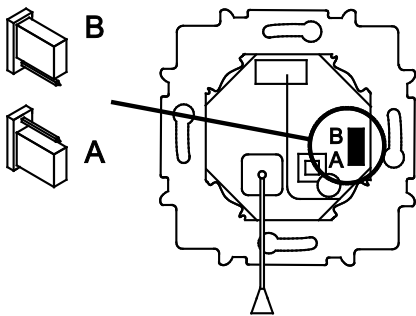


Fig. 5: 1520/1 UKZ signal button insert with pullcord

Position	Confirmation feedback signal
B	Group triggering
A	Single triggering

A member of the ABB Group

**Busch-Jaeger Elektro GmbH**

PO box  
58505 Lüdenscheid

Freisenbergstraße 2  
58513 Lüdenscheid  
Germany

**www.BUSCH-JAEGER.com**

info.bje@de.abb.com

**Central sales service:**

Phone: +49 (0) 2351 956-1600

Fax: +49 (0) 2351 956-1700

**Notice**

We reserve the right to at all times make technical changes as well as changes to the contents of this document without prior notice.

The detailed specifications agreed to at the time of ordering apply to all orders. ABB accepts no responsibility for possible errors or incompleteness in this document.

We reserve all rights to this document and the topics and illustrations contained therein. The document and its contents, or extracts thereof, must not be reproduced, transmitted or reused by third parties without prior written consent by ABB.

Copyright© 2012 Busch-Jaeger Elektro GmbH  
All rights reserved