



The application module USB-Interface is used for coupling a PC to the EIB and is placed on a flush-mounted bus coupler. Within the system it can be integrated into any position.

It is linked to the PC via a USB socket. The USB-Interface is for all PCs with USB-Socket.

The interface has two LEDs to overview the communication. One shows the EIB status and the other the USB status.

The ETS 3 or higher has to be installed on the PC so that the PC can communicate to the USB-Interface. Usage of the USB-Interface with the ETS 2 is not possible.

Technische Daten

Power supply	– EIB	24 VDC, via the bus line
Interface	– USB	
Connections	– USB-Interface	USB-Socket type B
	– Flush-mounted bus coupler	10-pole plug connector
Display elements	– LED green/red	USB display
	– LED red	EIB display
Type of protection	– IP 20, EN 60 529 mounted on the bus coupler	
Ambient temperature range	– Operation	- 5 °C ... 45 °C
	– Storage	-25 °C ... 55 °C
	– Transport	-25 °C ... 70 °C
Design / colour	– solo®	savanna / ivory davos / studio white manhattan / graphite samoa / light green toscana / crimson attica / blue-grey
		savanna / ivory davos / studio white manhattan / graphite stone / light grey
	– future	anthracite savanna / ivory davos / studio white
		anthracite savanna / ivory davos / studio white
	– carat	anthracite savanna / ivory davos / studio white
Mounting	– latched onto a flush-mounted bus coupler	
Dimensions	– 63 x 63 mm (H x B)	
Weight	– 0.08 kg	
Certification	– EIB-certified	
CE norm	– in accordance with the EMC guideline and the low voltage guideline	

Application programs	Number of communication objects	Max. number of group addresses	Max. number of associations
none			

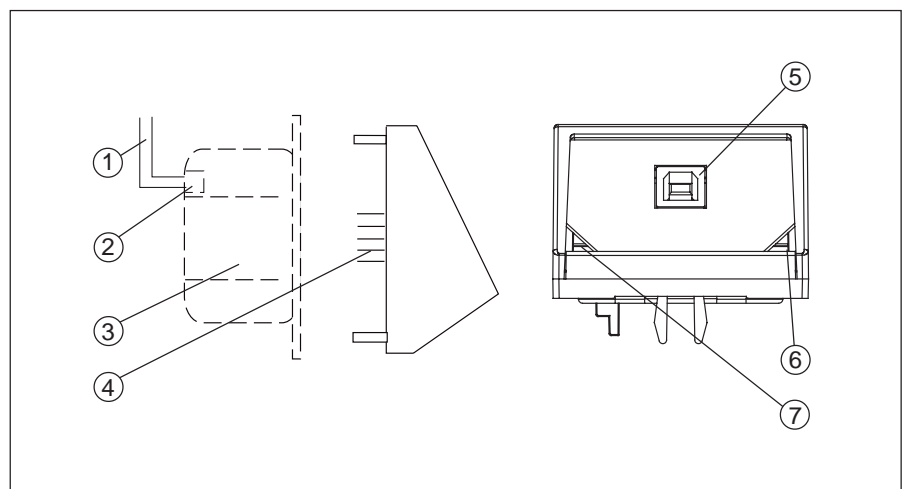
Note

The device USB-Interface is stored on the EIB-CD-ROM and on the Busch-Jaeger Elektro Homepage as VD3-File. So the USB-Interface can be imported into the ETS.

After the USB-Interface can stay in the EIB-Installation permanent, e. g. to connect a visualisation to the EIB-Installation.

The ETS shows no application for the USB-Interface. The prenot date is only used to insert a device into the EIB-project an to program it within.

Circuit diagram



- 1 Bus Cable
- 2 Bus terminal
- 3 Flush-mounted bus coupler
- 4 10-pole plug

- 5 USB-Socket
- 6 LED green/red (USB display)
- 7 LED red (EIB display)

Note

The LED for EIB-display lights red, if the application module is set on a bus coupler is connected to the EIB-installation.

The LED for USB-display lights green, if a USB cable is connected. The LED flashes red, if data is transmitted over the USB-cable.